

INSTRUCTION MANUAL

NSW Schools / TAFE - PB-2 Hydraulic Pipe Bender 1/2" - 2" Round



K8425

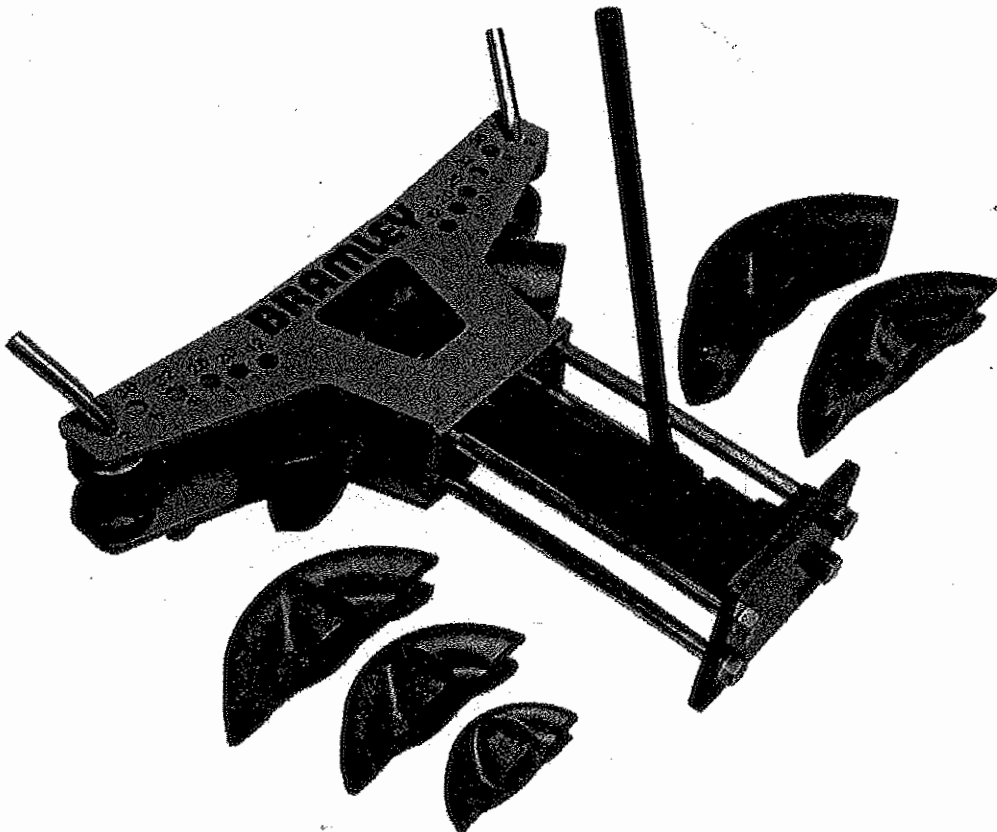
R.R. BRAMLEY & CO. LTD.

ESTABLISHED 1921

TELEPHONE 09 579 2036 FACSIMILE 09 525 0735 EMAIL sales@bramley.co.nz
184 MARUA ROAD, MT WELLINGTON, AUCKLAND NEW ZEALAND
P.O. BOX 14-114, PANMURE, AUCKLAND, NEW ZEALAND

OPERATING INSTRUCTIONS & PARTS LIST

HYDRAULIC PIPE BENDER



AUSTRALIAN OFFICE

TELEPHONE: 2-9545-6633 FACSIMILE: 2-9545-4222 EMAIL: sales@garrickherbert.com.au
460-462 THE BOULEVARDE, KIRRAWEE, NSW 2232, AUSTRALIA.
P.O. BOX 3118, KIRRAWEE, NSW 2232, AUSTRALIA

Thank you for purchasing the Bramley Hydraulic Pipe Bender. This portable Machine is designed for general purpose use.

The Machine illustrated in Figure 2 shows the Formers which are available with this Machine, 1/2", 3/4", 1", 1 1/4", 1 1/2" and 2" Formers.

This Machine is designed to bend pipe of 1/2" to 2" capacity to a maximum angle of 90°. Also the Hydraulic Ram is easily removed from the Frame and converts to a 12 ton jack.

OPERATION AND ASSEMBLY

Upon receipt of the Pipe Bender part number 1 and 10 will already be assembled together. Once the handle is placed in the jack it is ready to begin bending.

Choose the desired Former for bending and place it on the end of the Hydraulic Ram. NOTE: The Formers are designed for use on standard nominal bore water pipe.

Place the Bobbins and Bobbin Pins in the corresponding holes to the Former being used; i.e. - if using 2" Former place Bobbins and Bobbin pins in the 2" holes, as shown in Figure 2. Place the Pipe to be bent between the Former and Bobbins.

The Pipe can now be bent to desired angle (up to 90°) by pumping the Ram up toward the Pipe. NOTE: Bending over 90° will cause damage to both Pipe being bent and the Former.

When the Pipe has been bent to the desired angle, you then return the Hydraulic Jack to the lowest position by turning the tap at the bottom of the Hydraulic Jack and pushing the ram back manually by hand.

For easy removal, remove the Bobbins and the Pipe can then be lifted out the front of the Frame.

Return Tap at the bottom of the Hydraulic Jack to original position and then the Bender is ready to bend more Pipe.

Hydraulic Oil should be checked periodically by removing the rubber cap over the oil filler hole. Stand the unit in an upright manner and fill Hydraulic Reservoir with 32 Grade Hydraulic Oil.

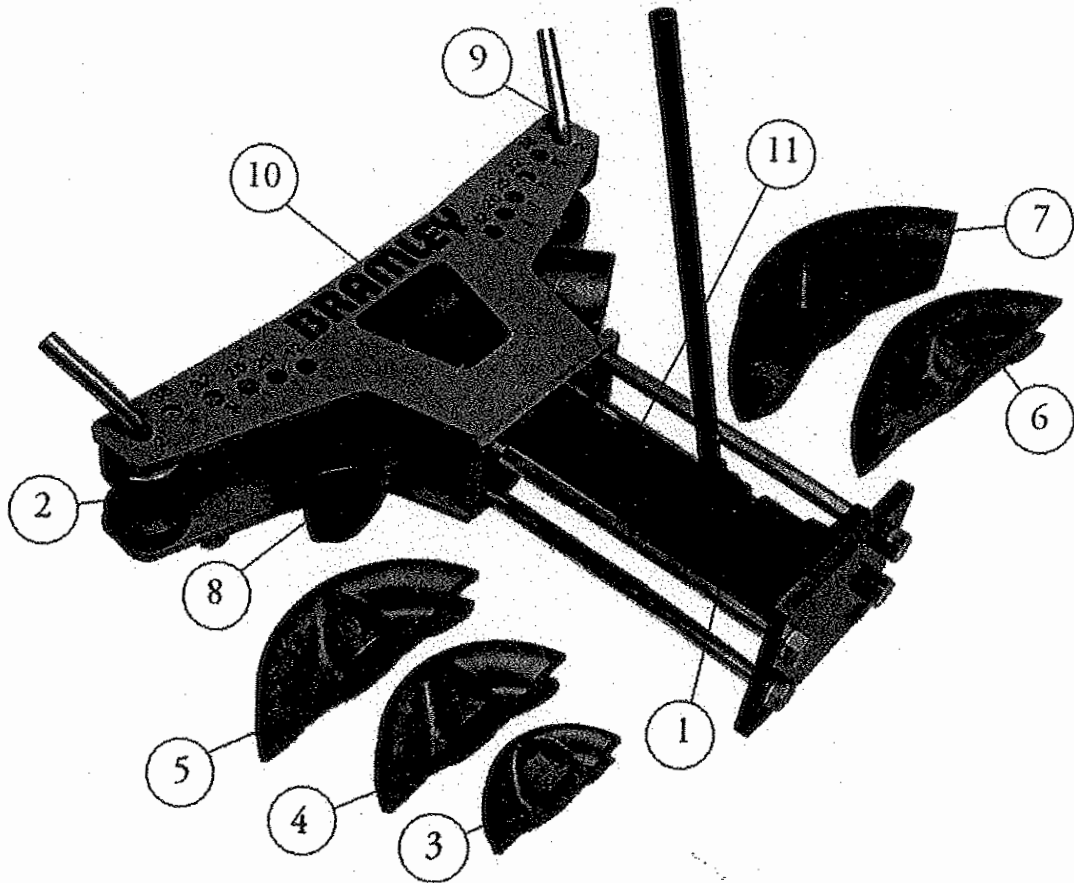


FIGURE 2

REF NO	PART NO	DESCRIPTION
1	22-05A	12 Tonne Hydraulic Ram
2	22-10	Bobbins
3	22-11	½" Pipe Former
4	22-12	¾" Pipe Former
5	22-13	1" Pipe Former
6	22-14	1-1/4" Pipe Former
7	22-15	1-1/2" Pipe Former
8	22-16	2" Pipe Former
9	22-09	Bobbin Pins
10	22-01	Main Body
11		Oil Filler Hole